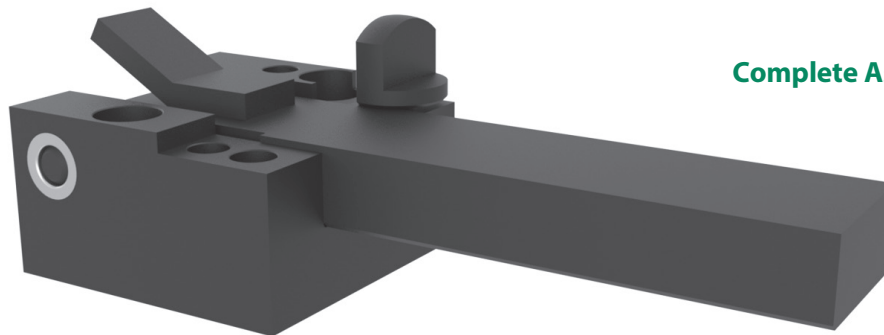


Hinged Bushing Plates

Have a big job to hold down?

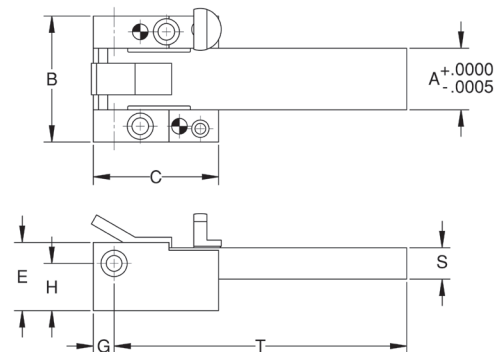
Hinged Bushings Plates from Carr Lane Manufacturing deliver precision for your large-scale production jigs.



Complete Assembly

BASE: A36 STEEL, CARBURIZE-HARDENED, BLACK OXIDE FINISH
 ARM: A36 STEEL, WEAR SURFACES HARD WELDED & GROUND, BLACK OXIDE FINISH
 PIVOT PIN: 4130 STEEL, HEAT TREATED, BLACK OXIDE FINISH

Hinged Bushing Plates are precise, heavy-duty bushing-plate assemblies for large-scale production jigs. The swing-away arm is precision ground but left unhardened for installing drill bushings (wear surfaces are hard welded and ground). The arm swings open a full 120° for loading clearance. The mounting base is hardened and precisely ground to provide accurate location. The base includes liner bushings as bearings for the hardened pivot pin, and a half-turn latch screw. Available in three sizes. Made in the USA.

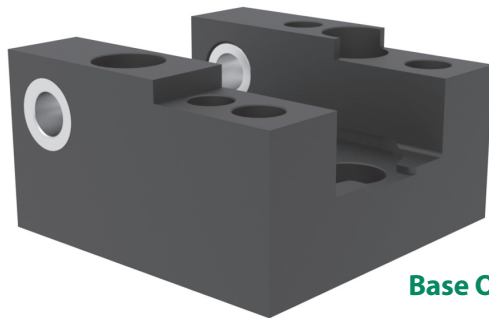


COMPLETE ASSEMBLY

PART NO.	A	B	C	E	G	H	S	T	COMPETITOR PART NO.
CL-1-HBP	1.4675	3	3	1-5/8	.500	1.125	3/4	6.995	HIBP1, 96032, 4050805145
CL-2-HBP	1.9675	3-1/2	4	1-3/4	.500	1.250	1	9.500	HIBP2, 96031, 4050805135
CL-3-HBP	2.4675	4	5	2	.625	1.375	1-1/4	11.875	HIBP3, 96030, 4050805125

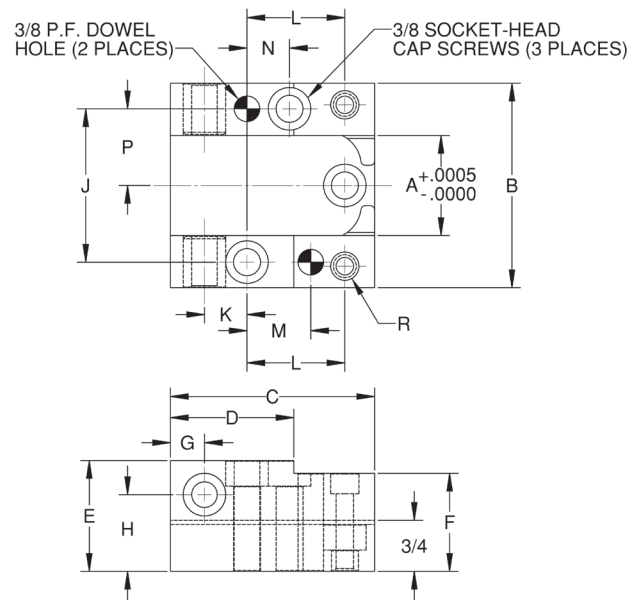
Hinged Bushing Plates

BASE: A36 STEEL, CARBURIZE-HARDENED, BLACK OXIDE FINISH
 ARM: A36 STEEL, WEAR SURFACES HARD WELDED & GROUND, BLACK OXIDE FINISH
 PIVOT PIN: 4130 STEEL, HEAT TREATED, BLACK OXIDE FINISH



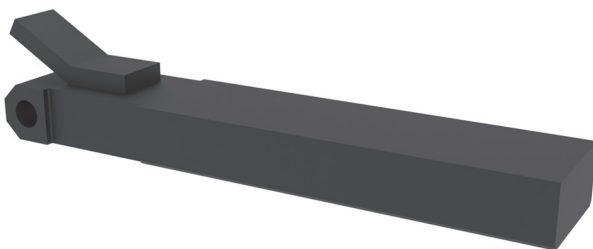
Base Only

The base can be ordered separately if customer-made arms will be used. The base kit shown here includes all hardware including the liner bushings, pivot pin, setscrew, and half-turn latch screw.



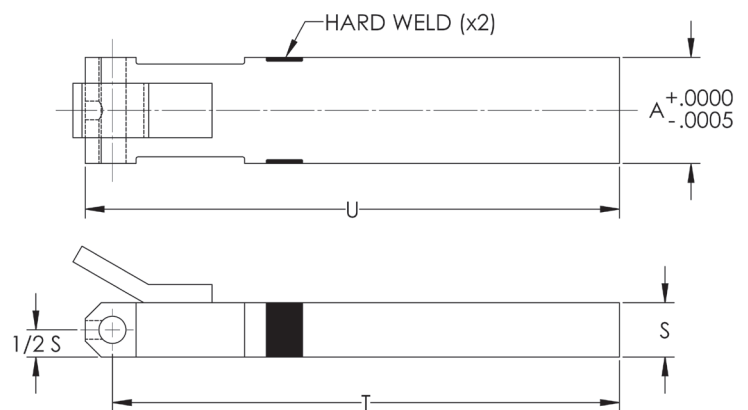
BASE KIT ONLY

PART NO.	A	B	C	D	E	F	G	H	J	K	L	M	N	P	R	COMPETITOR PART NO.
CL-1-HBP-BK	1.468	3	3	1.81	1-5/8	1.43	.500	1.125	2.25	.625	1.438	.938	.625	1.125	5/16-18	BH1, 4050001075
CL-2-HBP-BK	1.968	3-1/2	4	2.50	1-3/4	1.68	.500	1.250	2.75	.750	2.250	1.500	.625	1.375	3/8-16	BH2, 4050001100
CL-3-HBP-BK	2.468	4	5	3.25	2	1.87	.625	1.375	3.25	.875	3.000	2.188	.750	1.625	1/2-13	BH3, 4050001125



Arm Only

Arms can be ordered separately, to use as replacements or to switch tooling. The pivot pin can be easily removed by loosening the setscrew, allowing quick arm changeover.



ARM ONLY

PART NO.	A	S	T	U	COMPETITOR PART NO.
CL-1-HBP-A	1.4675	3/4	7.00	7-3/8	PHB1, 4456805320
CL-2-HBP-A	1.9675	1	9.50	10	PHB2, 4456805310
CL-3-HBP-A	2.4675	1-1/4	11.88	12-1/2	PHB3, 4456805300